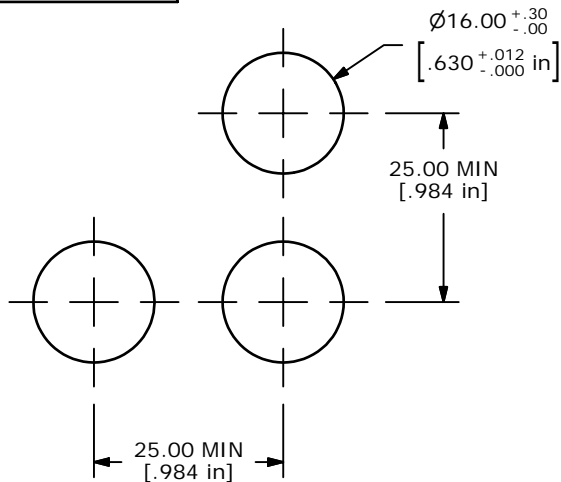
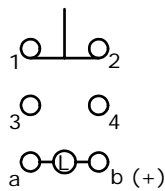
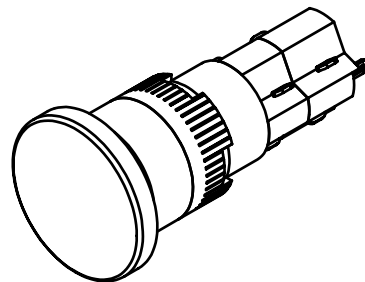


PARTS LIST

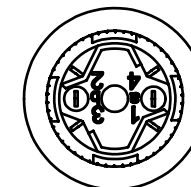
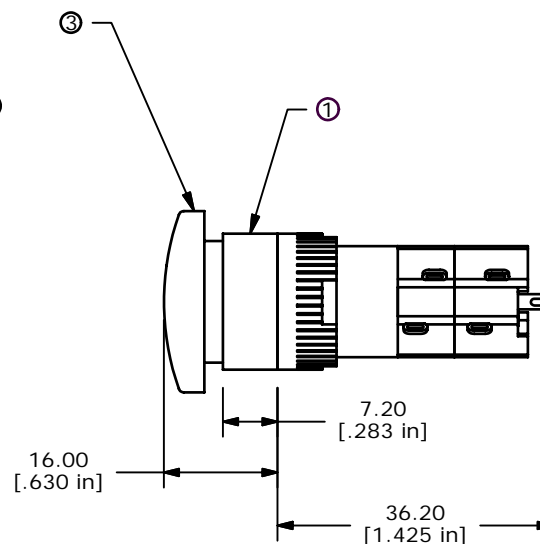
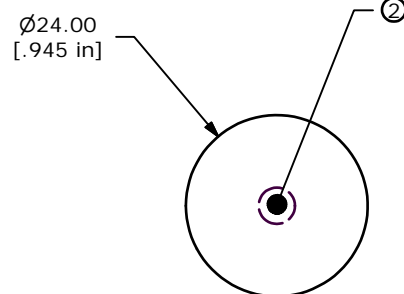
ITEM	QTY	PART NUMBER	DESCRIPTION
1	1	F040016	D16EER12
2	1	F050417	50-004-17 6VDC RED LED
3	1	F051212	50-012-41 MUSHROOM CAP RED (TRANSPARENT)



PANEL MOUNTING



CONTACT CONFIGURATION



NOTE:

1. ALL DIMENSIONS IN MM [INCH]
2. GENERAL TOLERANCE: X.X=±0.4
X.XX=±0.25
3. TERMINAL NUMBERS FOR REF ONLY
4. MECHANICAL LIFE: 50,000 OPERATIONS
5. INSULATION RESISTANCE: 1,000 MILLI-OHM MIN.
6. OPERATING TEMP.: -25°C to 55°C
- ▲ 7. LED VOLTAGE: 6 VDC (RED)
8. MAX. PANEL THICKNESS IS 5mm.
9. ▲ DENOTES CRITICAL PARAMETER.



B	17857	CORRECT ITEM 2 (PART No.)	11/13/07	BLR
A	17842	RELEASED FOR PRODUCTION	11/07/07	BLR
REV	PCR NO	DESCRIPTION	DATE	BY

TITLE D16EER2HREDRED				
SCALE 2:1	DATE 11/13/2007	DR BLR	DWG XF0693P	REV B

THE INFORMATION CONTAINED IN THIS DOCUMENT IS PROPRIETARY TO E-SWITCH AND IS NOT TO BE COPIED OR TRANSFERRED